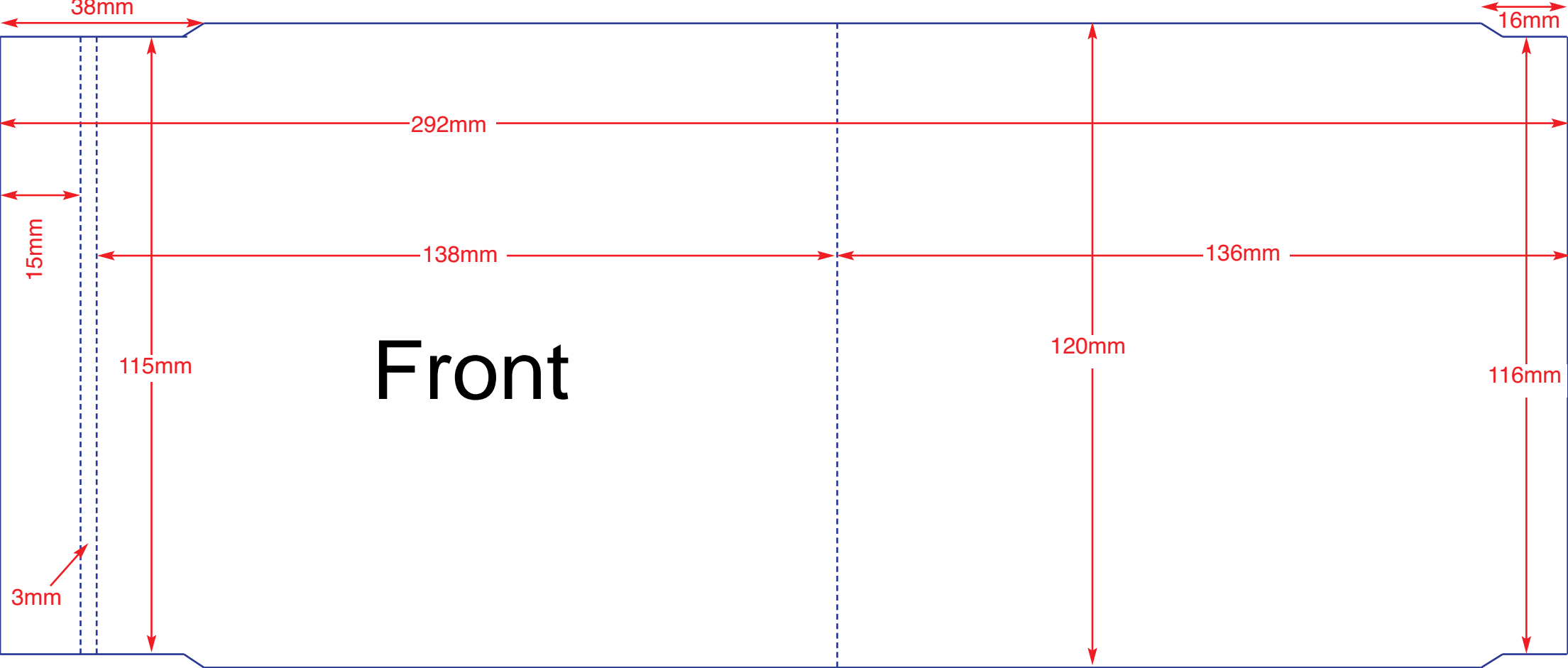


Slimline is die cut. make sure no wording is in the corner areas



3mm Bleed to be added where necessary around outside edges